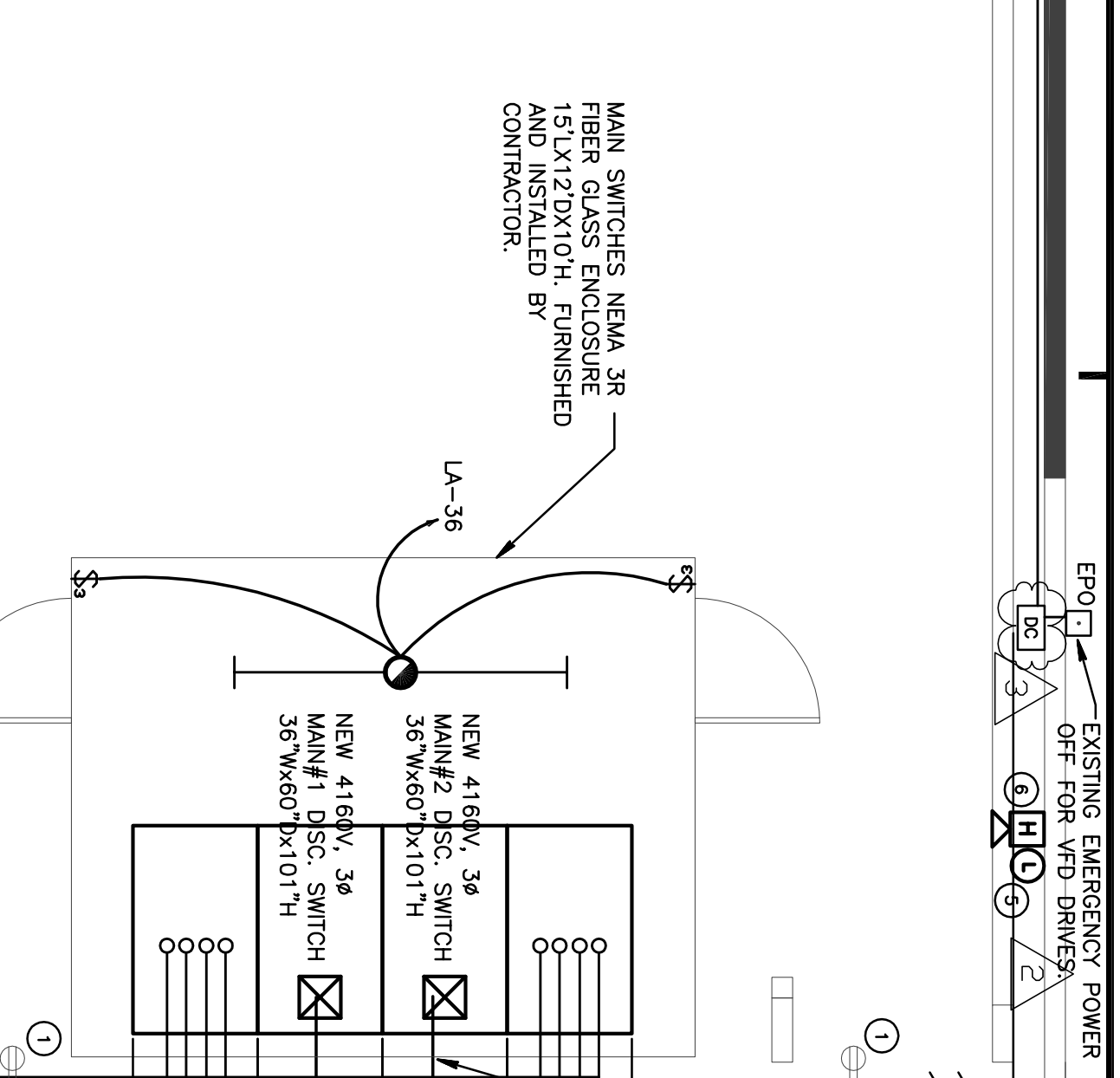
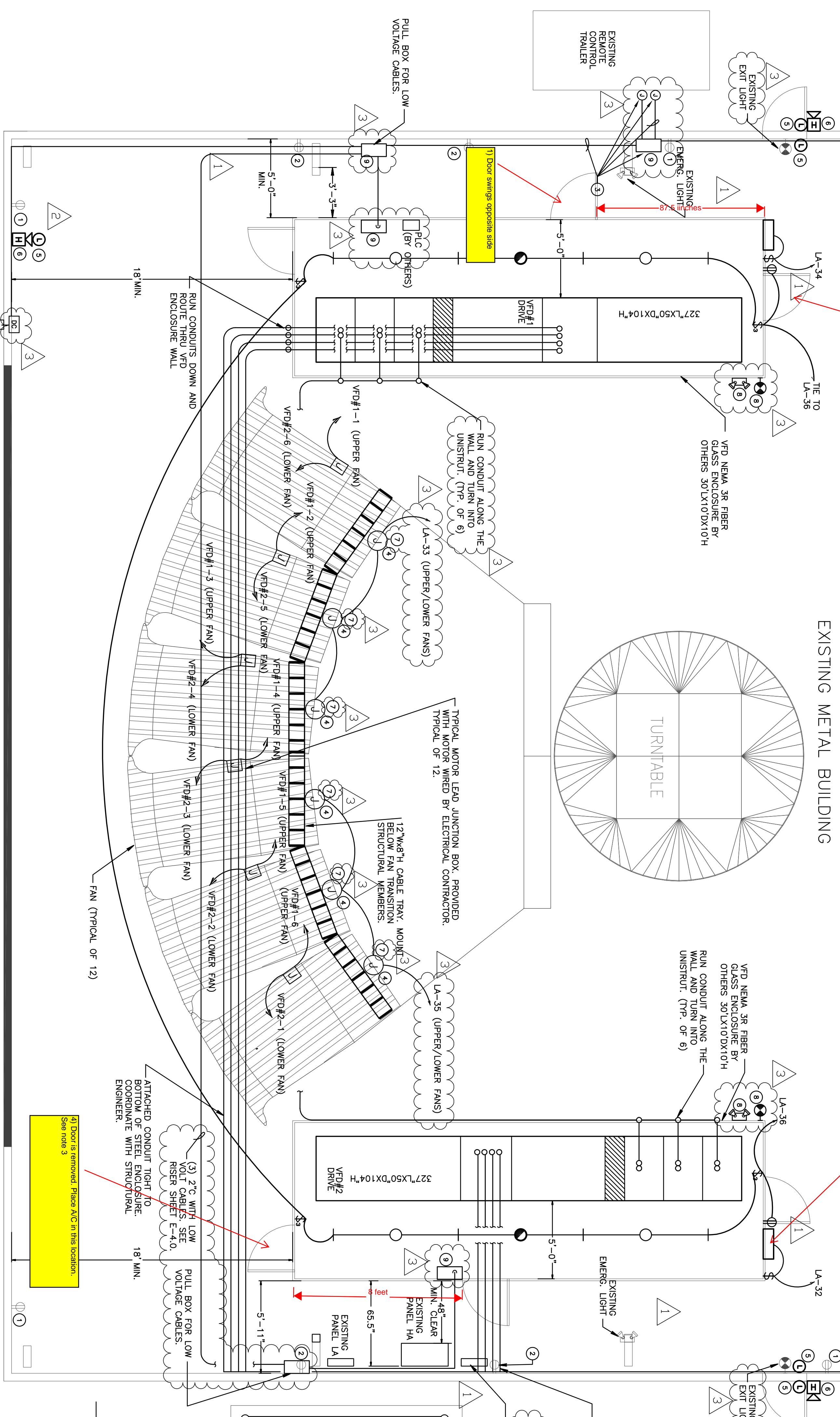


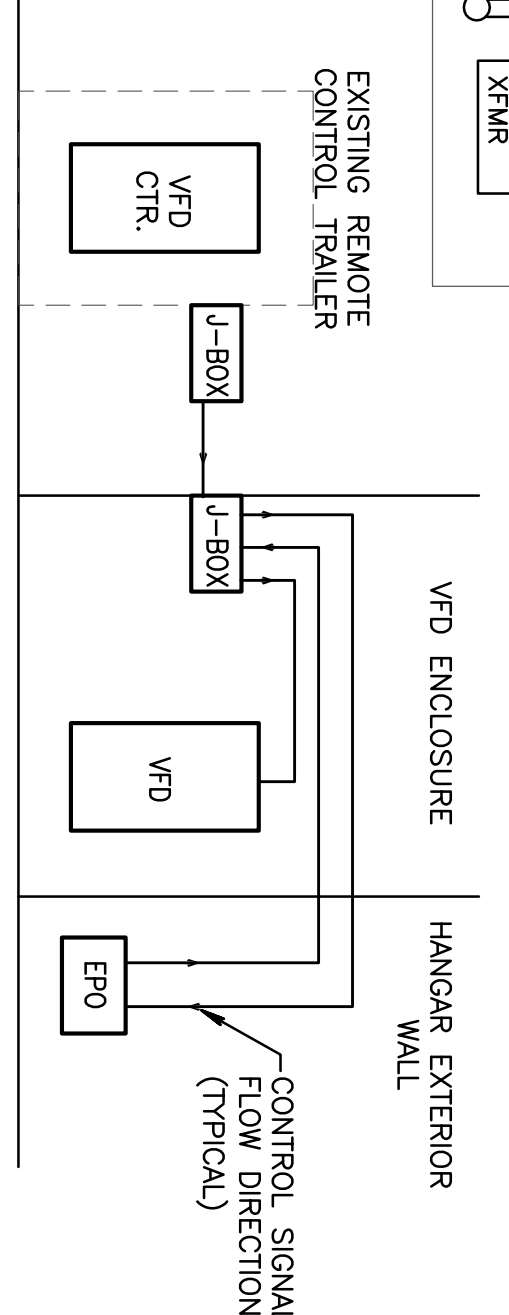
**FAN POWER J-BOX
 INSTALLATION DETAIL**
 SCALE: N.T.S.



LIGHTING FIXTURE SCHEDULE

SYMBOL	DESCRIPTION	MANUFACTURER	CATALOG NUMBER	# LAMPS	TYPE	MOUNTING
1	8 STRIP WITH WIREGUARD	DAVIBRITE	TT232JUN-1HEB-20CA	4	F278	SURFACE/CHAN
2	3 STRIP WITH WIREGUARD	DAVIBRITE	TT232JUN-1HEB-20CA-65	4	F278	SURFACE/CHAN
3	EMERG LIGHT WITH WIRE GUARD	BECHTEL	WLS-3A-LR-1-W-20277	1	LED	WALL
4	EMERG LIGHT (WIRE GUARD LOCATION VARY)	BECHTEL	TK-2A-SUN-1-A-1-N-M	1	24V	SURFACE

- KEY NOTES**
- EXISTING RECEPTACLE TO REMAIN.
 - EXISTING RECEPTACLE, WIRES AND CONDUITS TO BE REMOVED AS NEEDED.
 - EXISTING RECEPTACLE TO REMAIN FUNCTIONAL.
 - J-BOX AND 3/4" CONDUIT FOR VFD'S CONTROL WIRES, PROVIDE PULL STRING, FIELD VERIFY EXACT TERMINATION WITH TOSHIBA AND FIU REPRESENTATIVE.
 - PROVIDE 3/4" CONDUIT WITH PULLSTRING FROM VFD HOUSE TO FAN FOR FIBER OPTIC TERMINATION. SEE SHEET E-4.0 FOR FIBER OPTIC TERMINATION AND FIBER REPRESENTATIVE.
 - RED WARNING LIGHT, EXTEND CONDUIT AND WIRES TO PANEL LA FOR POWER AND TO TERMINAL BOX FOR CONTROLS. SEE RISER ON SHEET E4.0.
 - WARNING HORN 110db, EXTEND CONDUIT AND WIRES TO PANEL LA FOR POWER AND TO TERMINAL BOX FOR CONTROLS. SEE RISER ON SHEET E4.0.
 - CONTRACTOR SHALL PROVIDE LOW VOLTAGE TERMINAL BOX OR J-BOX AND CONDUIT TO TERMINAL BOX FOR CONTROLS TO CIRCUIT INDICATED VIA LIGHTING CIRCUIT.
 - CONTRACTOR SHALL PROVIDE LOW VOLTAGE TERMINAL BOX OR J-BOX. SEE SHEET E-4.0 FOR MORE INFORMATION.



**VFD START/STOP CONTROL
 RISER DIAGRAM**
 SCALE: N.T.S.

DELTA G CONSULTING ENGINEERS, INC.
 DELTA G CONSULTING ENGINEERS, INC.
 10555 W. FLAGLER STREET
 MIAMI, FL 33174
 DATE: 06-12-2008

**WALL OF WIND TO
 DESIGN AT FIU**

COLLEGE OF ENGINEERING AND COMPUTING
 10555 W. FLAGLER STREET
 MIAMI, FL 33174
 DATE: 06-12-2008

REVISIONS

1	ISSUED FOR BID	05-28-09
2	FIU PERMIT COMMENTS REV.	08-13-09
3	APPENDIX #1 VE REV.	09-15-09
4	LOW VOLTAGE REV.	10-09-09

DESIGNED: MG
 DRAWN: DS
 CHECKED: MAG

CONTRACTOR: MICHAEL GUTTA, P.E.
 FLORIDA LICENSE #60765
 DATE: 09/25/09

DELTA G CONSULTING ENGINEERS, INC.
 10555 W. FLAGLER STREET
 MIAMI, FL 33174
 (954) 527-1112 / (954) 524-7505 FAX

ELECTRICAL FLOOR PLAN
 SCALE: 1/4" = 1'-0"

PERMIT/BID DOCUMENTS

E-2

ELECTRICAL FLOOR PLAN